

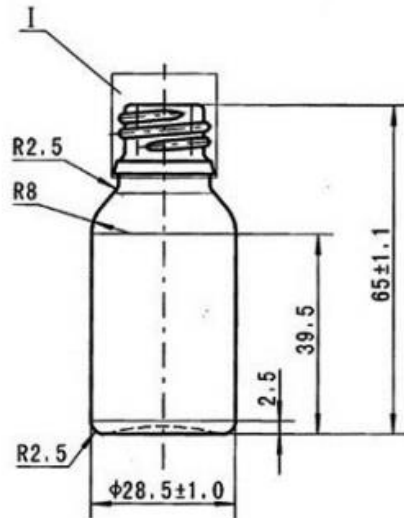


18

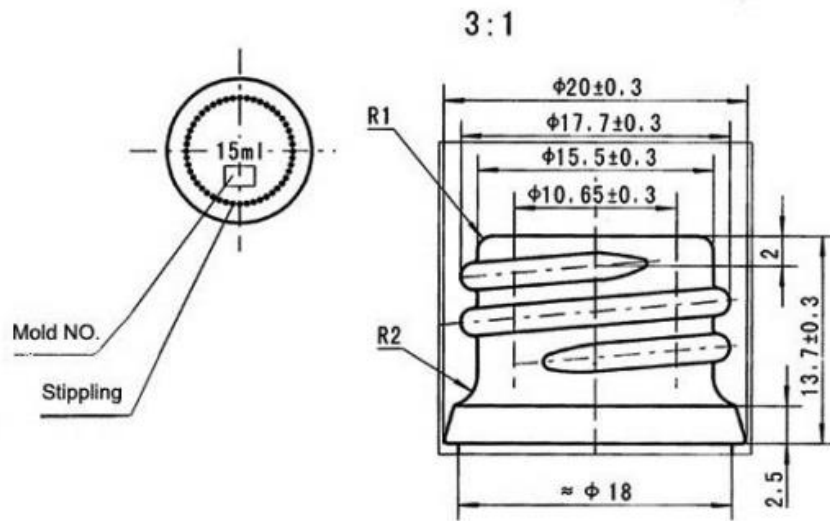
24

# HS FRENCH FLINT

THE GLASS CONTAINER SPECIALISTS



Screw-pitch: 3  
 Screw-breadth: 1.8  
 Screw-thread: 2.2



Product code	SM15	Weight (approx.)	30g		
Finish	18mm Screw neck	Height	65±1.1		
Capacity	15ml	Brim-full capacity	20±2ml		